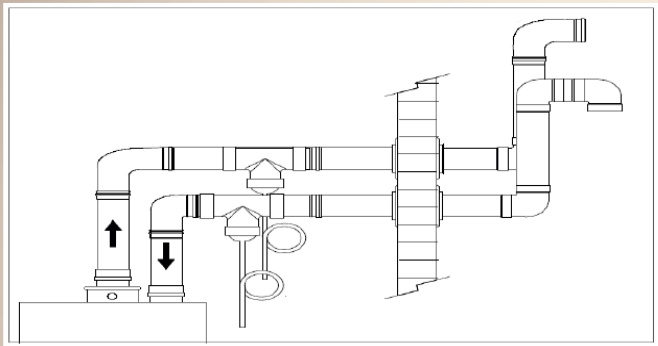
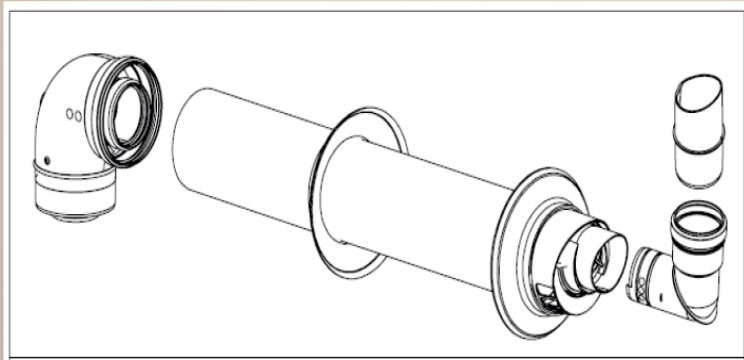


## Venting Guidelines

### Some Popular Venting Strategies\*\*



<b><u>Co-Linear Venting (S636 PVC)</u></b>	
<b>2"</b>	<b>100'</b> ( 100' Intake max. & 100' Exhaust max.)
<b>3"</b>	<b>150'</b> ( 150' Intake max. & 150' Exhaust max.)



<b><u>Co-Axial Venting ( Polypropylene)</u></b>		
	<b>Min</b>	<b>Max</b>
<b>100mm/ 60mm</b>	<b>1' + elb.</b>	<b>19' + elb.</b>

**Note:** Elbow allowance - 45° = 2.5'

90° ( long radius) = 5'

90° ( short radius) = 7.5'

\* Always check local code requirements

\*\* Other approved venting options are available, please refer to the Radiant Installation & Operation Manual for full details