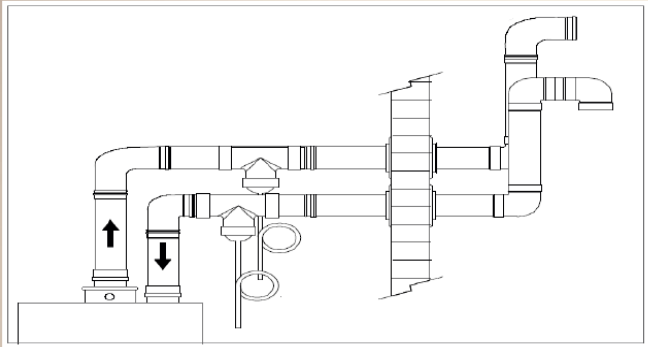


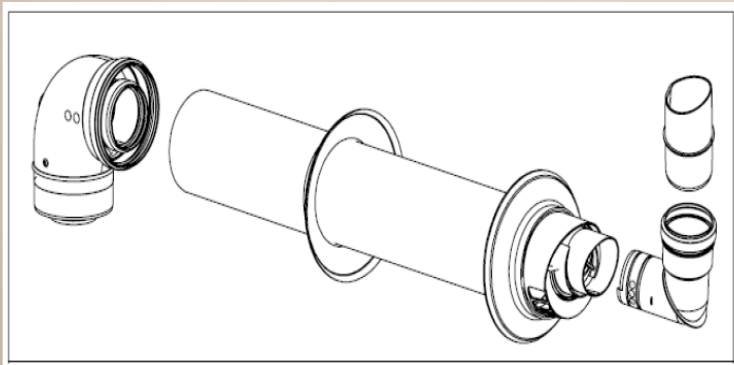
## Venting Guidelines

### Some Popular Venting Strategies\*\*



#### Co-Linear Venting (S636 PVC)

2"	60' ( 60' Intake max. & 60' Exhaust max.)
3"	85' ( 85' Intake max. & 85' Exhaust max.)
4"	150' ( 150' Intake max. & 150' Exhaust max.)



#### Co-Axial Venting ( Polypropylene)

	Min	Max
100mm/ 60mm	1' + elb.	3.28' + elb.
125mm/ 80mm	3.3' + elb.	16.4' + elb.

**Note:** Elbow allowance - 45° = 2.5'

90° ( long radius) = 5'

90° ( short radius) = 7.5'

\* Always check local code requirements

\*\* Other approved venting options are available, please refer to the Radiant Installation & Operation Manual for full details