

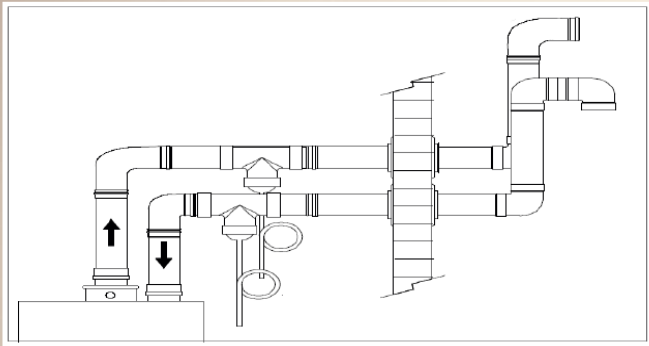
SFK 55 Aqua²

RADIANT. HEATING TECHNOLOGY SINCE 1959

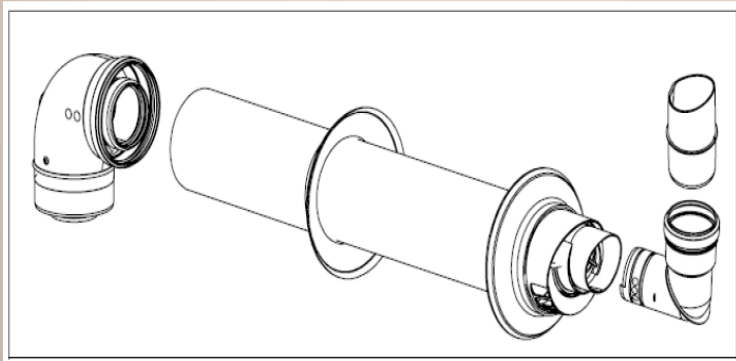


Venting Guidelines

Some Popular Venting Strategies**



<u>Co-Linear Venting (S636 PVC)</u>	
2"	60' (60' Intake max. & 60' Exhaust max.)
3"	85' (85' Intake max. & 85' Exhaust max.)
4"	150' (150' Intake max. & 150' Exhaust max.)



<u>Co-Axial Venting (Polypropylene)</u>		
	Min	Max
100mm/ 60mm	1' + elb.	3.28' + elb.
120mm/ 80mm	3.3' + elb.	16.4' + elb.

Note: Elbow allowance - 45° = 2.5'

90° (long radius) = 5'

90° (short radius) = 7.5'

* Always check local code requirements

** Other approved venting options are available, please refer to the Radiant Installation & Operation Manual for full details